

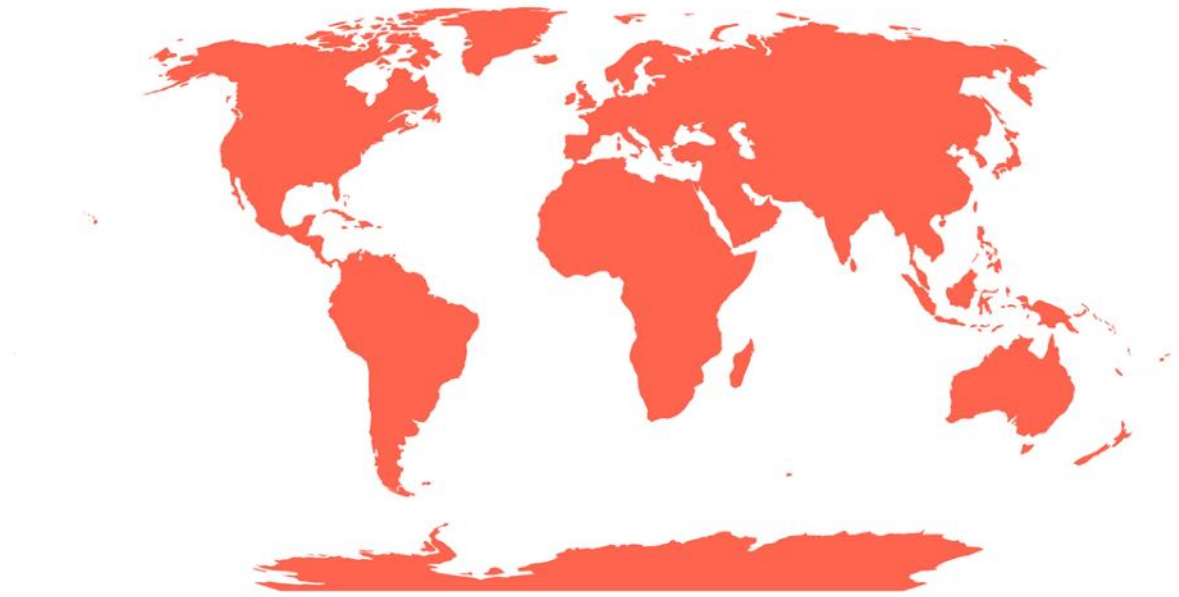
# A-TOM<sup>®</sup>

S E A T I N G

SPACES<sup>®</sup>  
AND  
BETWEEN

[www.spacesandbetween.com](http://www.spacesandbetween.com)





# THE HUNT FOR COMFORTABLE CINEMA SEATS ENDS HERE :

**S**PACES AND BETWEEN (SAB), was formed with the main objective to reduce or fill-up gaps within Cinemas. Voyage Entertainment and Atom Seating are the two verticals of SAB that fill up those gaps.

VOYAGE ENTERTAINMENT focuses on the creative journey of film production to deliver content so engaging, that the screens don't stay empty.

ATOM SEATING fills those cinemas with the right products and services ensuring the patrons an unwavering experience.

ATOM SEATING is a recognised name in the world of VIP Recliners, gliders and normal seats. Movie auditoriums with Atom seats have been a trend across the globe, giving the moviegoers an "aww" moment always. The seating industry is like any other industry, where one has to learn the art of satisfying customers. Atom Seating dedicates a large portion of its time in

improving its seats by taking a three step approach -

The most important market research is done at cinema level where feedback from the patrons are given the highest priority,

Cinema owners also guide us to make some tweaks ergonomically, and, at production level, it's R&D department takes the most aggressive approach to improve the quality.

*At SAB, the product is not always the selling factor. Customer service, after sales support, one point contact, end-to-end services are an integral part of our DNA.*

Today, SAB is present across the globe - from USA to Mexico, from Nepal to Europe, from India to the Middle East. It is serving its happy clients with repeat orders and top notch after sales services.

[www.spacesandbetween.com](http://www.spacesandbetween.com)



# RECLINERS



[www.spacesandbetween.com](http://www.spacesandbetween.com)



**A-TOM**<sup>®</sup>  
SEATING

**SPACES**<sup>®</sup>  
AND  
**BETWEEN**


**PLATINUM**


ROYAL IN EVERYWAY!

## FEATURES

- Ergonomic design with high density moulded foam
- Available as love seat with swivel tables
- An optional premium wood finish center console
- Motorized neck rest for added adjustment
- Center storage console available (optional)
- Multiple motor configurations (optional)
- Privacy enclosure (optional)



 [www.spacesandbetween.com](http://www.spacesandbetween.com)

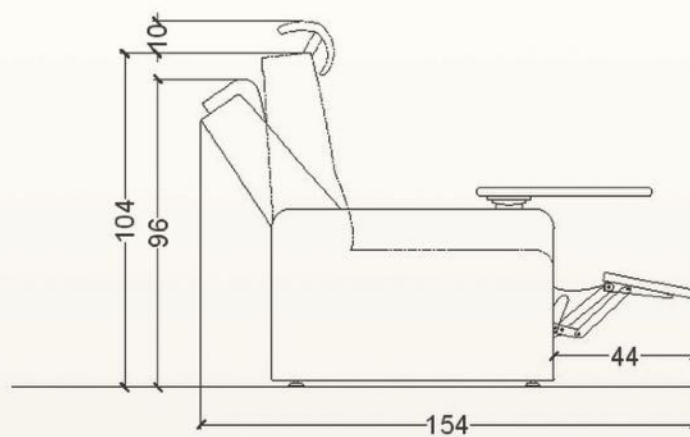
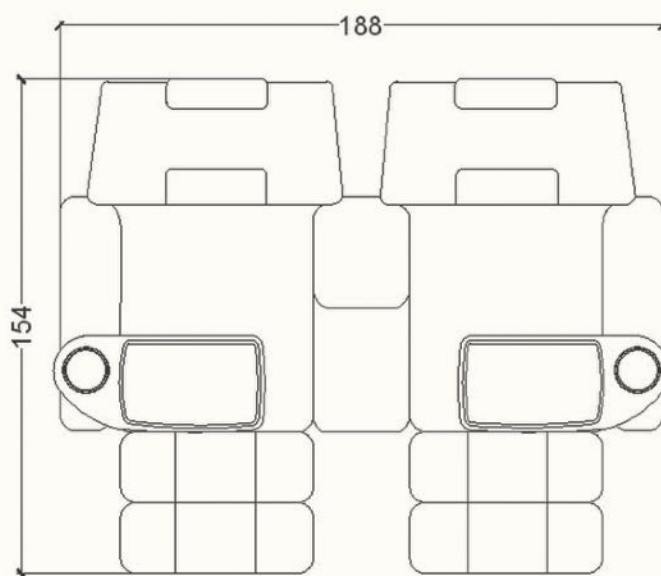
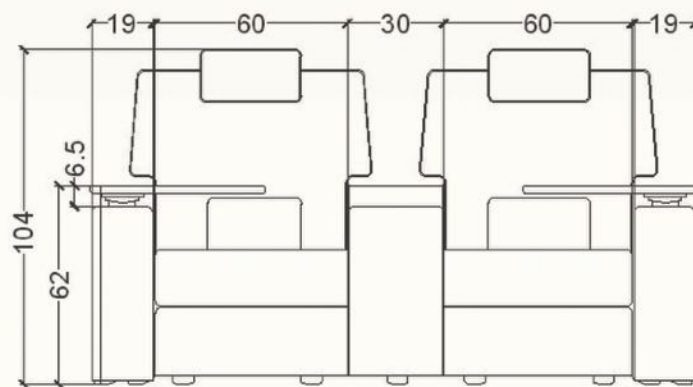
 [sales@spacesandbetween.com](mailto:sales@spacesandbetween.com)

 +1 (888) 500-2349

Certified — Martindale Wear & Abrasion Test — Grade 4, Exceeds 100000 Rubs, EN 12727:2016 (Level 4), B55852, CA117, CE, UK



# PLATINUM RECLINER (cm)



A-TOM<sup>®</sup>  
SEATING

SPACES<sup>®</sup>  
BETWEEN

A-TOM<sup>®</sup>  
SEATING

SPACES<sup>®</sup>  
AND  
BETWEEN

HELIUM


COMFORT WITHOUT BOUNDARIES!

## FEATURES

- Available in XL and MINI
- Ergonomic cushioning for unbiased comfort
- Elbow pad armrests for added comfort
- Configurable for inclined install
- Offered as single, continuous, daybed or love seats (with an articulating centre arm)
- A variety of upholstery and colors
- Choice of manual or electric recliner
- Constructible with ADA ends (Optional)
- Swivel Table (Optional)
- Zero Wall Mechanism (Optional)
- Lifiable Seat Base (Optional)
- Roll-up Seat Legrest (Optional)
- Motorized Headrest (Optional)



 [www.spacesandbetween.com](http://www.spacesandbetween.com)

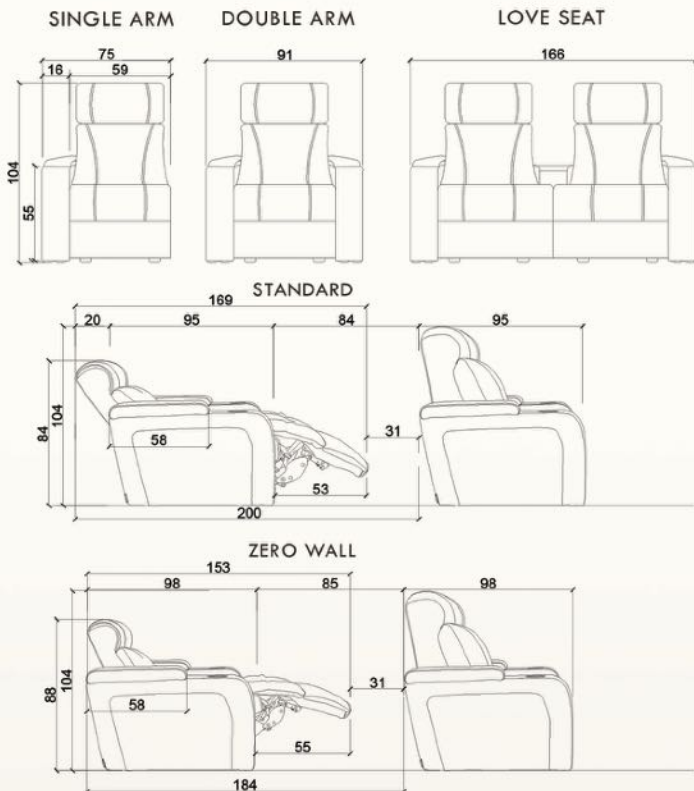
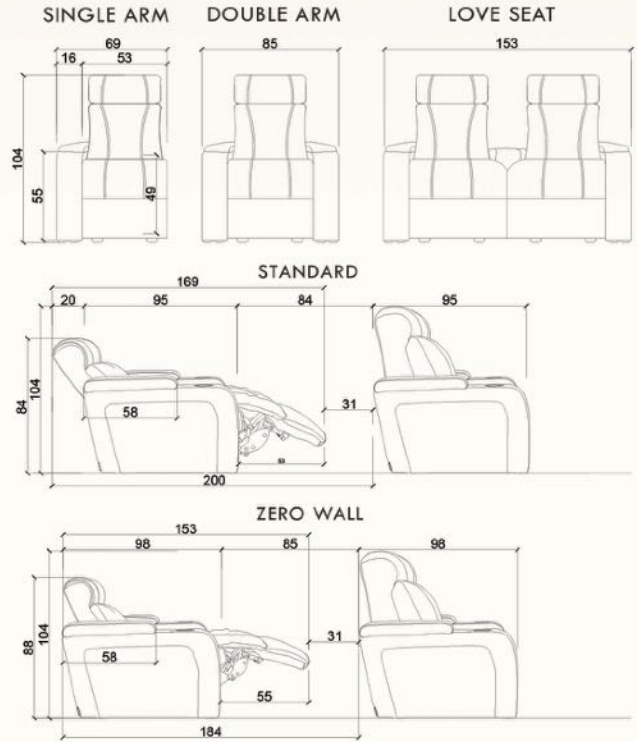
 [sales@spacesandbetween.com](mailto:sales@spacesandbetween.com)

 +1 (888) 500-2349

Certified — Martindale Wear & Abrasion Test — Grade 4, Exceeds 100000 Rubs, EN 12727:2016 (Level 4), B55852, CA117, CE, U<sub>4</sub>

# HELIUM RECLINER (cm)

## MINI RECLINER



## XL RECLINER

**A-TOM**<sup>®</sup>  
SEATING

**SPACES**<sup>®</sup>  
**BETWEEN**



A-TOM<sup>®</sup>  
SEATING

SPACES<sup>®</sup>  
AND  
BETWEEN


NEON


MINIMALISM MEETS COMFORT

## FEATURES

- Available as GRANDE or SHORT
- Customizable reclining depth
- Configurable for inclined install
- Offered as single, continuous or love seats (with an articulating centre arm)
- Constructible with ADA ends
- Optional swivel tables
- A variety of upholstery and colors
- Choice of manual or electric recliner
- Also available in Zero Wall Mechanism
- Daybed option available
- Liftable Seat Base
- Roll-up Seat Legrest
- Motorized Headrest



 [www.spacesandbetween.com](http://www.spacesandbetween.com)

 [sales@spacesandbetween.com](mailto:sales@spacesandbetween.com)

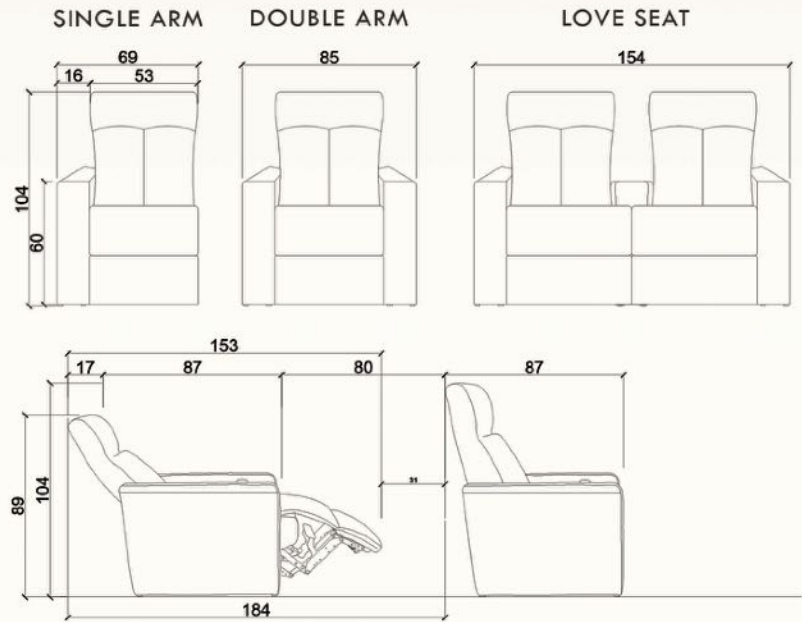
 +1 (888) 500-2349

Certified — Martindale Wear & Abrasion Test — Grade 4, Exceeds 100000 Rubs, EN 12727:2016 (Level 4), B55852, CA117, CE, U<sub>4</sub>

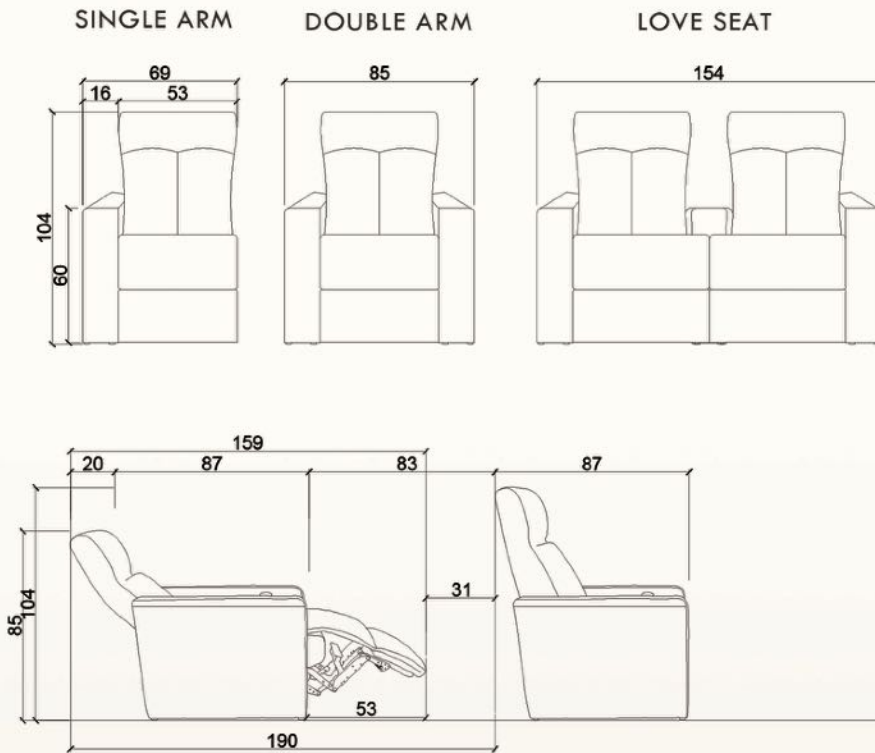


# NEON RECLINER (cm)

SHORT RECLINER



GRANDE RECLINER



A-TOM<sup>®</sup>  
SEATING

SPACES<sup>®</sup>  
BETWEEN

A-TOM<sup>®</sup>  
SEATING

SPACES<sup>®</sup>  
AND  
BETWEEN


ARGON


WELCOME HOME!

## FEATURES

- Elbow pad armrests for added comfort
- Configurable for inclined install
- Offered as single, continuous or love seats (with an articulating centre arm)
- Constructible with ADA ends
- Optional swivel tables
- A variety of upholstery and colors
- Choice of manual or electric recliner
- Also available in Zero Wall Mechanism
- Daybed option available
- Lifiable Seat Base
- Roll-up Seat Legrest
- Motorized Headrest



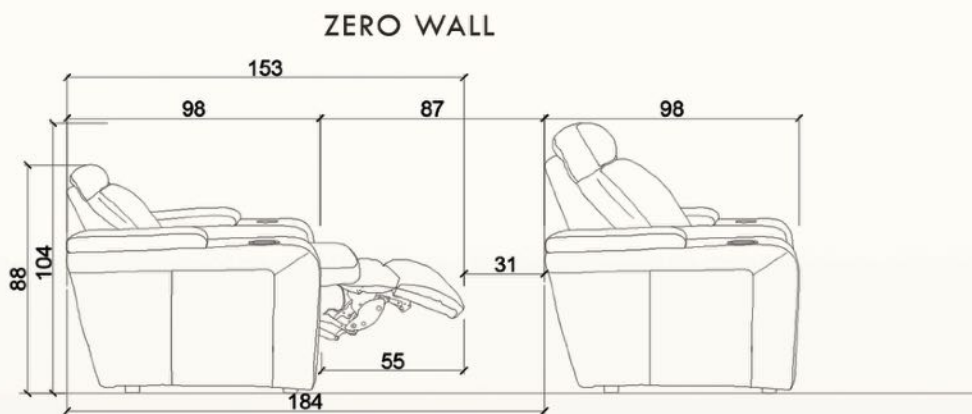
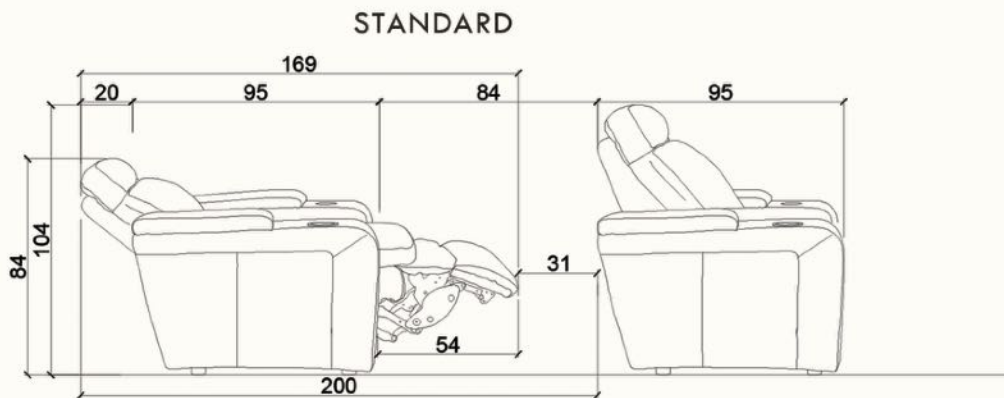
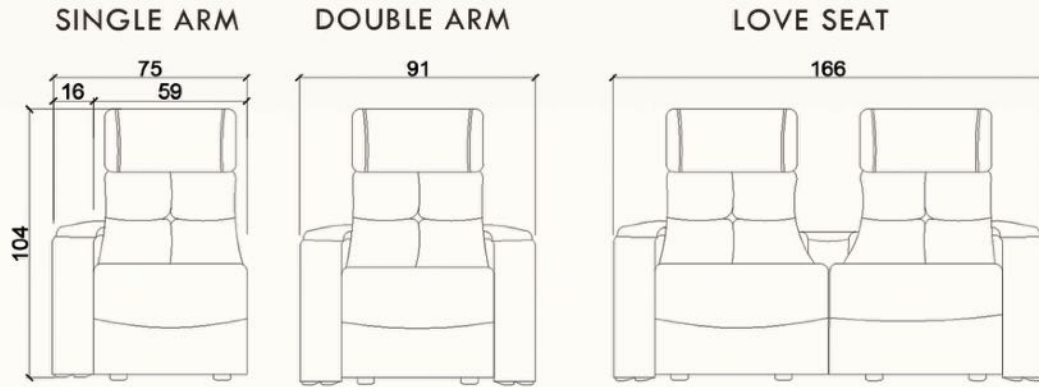
 [www.spacesandbetween.com](http://www.spacesandbetween.com)

 [sales@spacesandbetween.com](mailto:sales@spacesandbetween.com)

 +1 (888) 500-2349

Certified — Martindale Wear & Abrasion Test — Grade 4, Exceeds 100000 Rubs, EN 12727:2016 (Level 4), B55852, CA117, CE, UK

# ARGON RECLINER (CM)





A-TOM<sup>®</sup>  
SEATING

SPACES<sup>®</sup>  
AND  
BETWEEN

KRYPTON


MINIMUM SIZE, MAXIMUM SEATS

## FEATURES

- 23 inches seat base and 25 inches Center to Center makes it the smallest recliner variant
- Plush backrest for ultimate comfort
- Minimal armrest for maximum space utilization
- Obstruction free base for easy cleaning
- Offered as single, continuous or love seats (with an articulating centre arm)
- Interchangeable parts for easy replacement
- A variety of upholstery and colors
- Choice of manual or electric recliner
- Constructible with ADA ends (Optional)
- Lifiable Seat Base (Optional)
- Motorized Headrest (Optional)



 [www.spacesandbetween.com](http://www.spacesandbetween.com)

 [sales@spacesandbetween.com](mailto:sales@spacesandbetween.com)

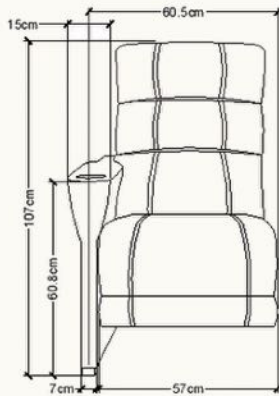
 +1 (888) 500-2349

Certified — Martindale Wear & Abrasion Test — Grade 4, Exceeds 100000 Rubs, EN 12727:2016 (Level 4), B55852, CA117, CE, UK

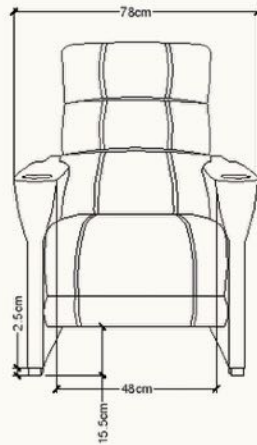


# KRYPTON RECLINER(cm)

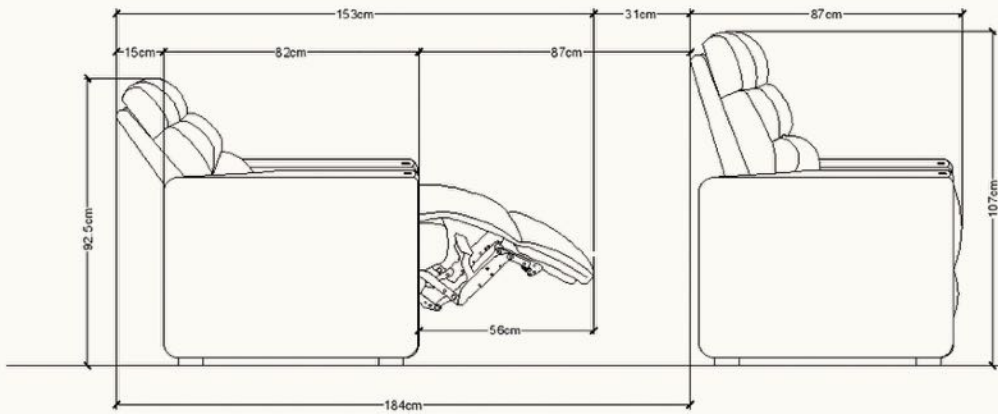
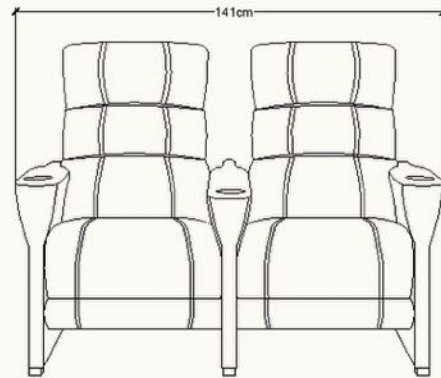
SINGLE ARM



DOUBLE ARM



LOVE SEAT



# GLIDERS



[www.spacesandbetween.com](http://www.spacesandbetween.com)



**A-TOM<sup>®</sup>**  
SEATING

**SPACES<sup>®</sup>**  
AND  
**BETWEEN**

**RADIUM**


COMFORT AND PRICE ARE ON THE SAME SIDE!

## FEATURES

- Economical on price & footprint
- Seamless slide into recline operation
- Obstruction free under structure makes cleaning a breeze
- Offered as single, continuous or love seats (with an articulating centre arm)
- Constructible with ADA ends
- Optional swivel tables
- A variety of upholstery and colors



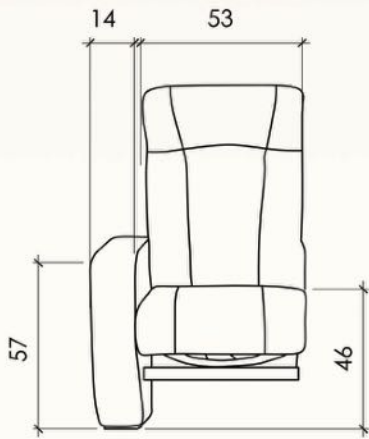
 [www.spacesandbetween.com](http://www.spacesandbetween.com)

 [sales@spacesandbetween.com](mailto:sales@spacesandbetween.com)

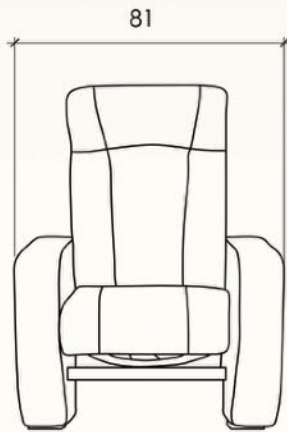
 +1 (888) 500-2349

Certified — BS5852, CA117,

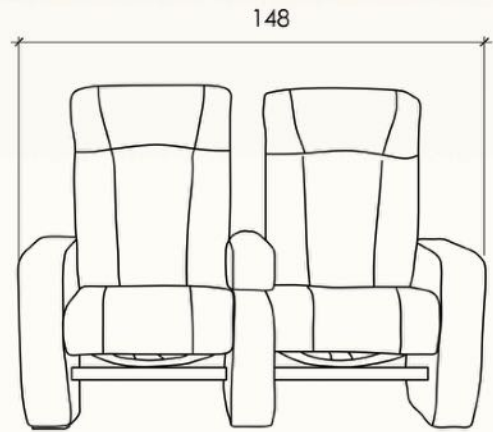
# RADIUM GLIDER (cm)



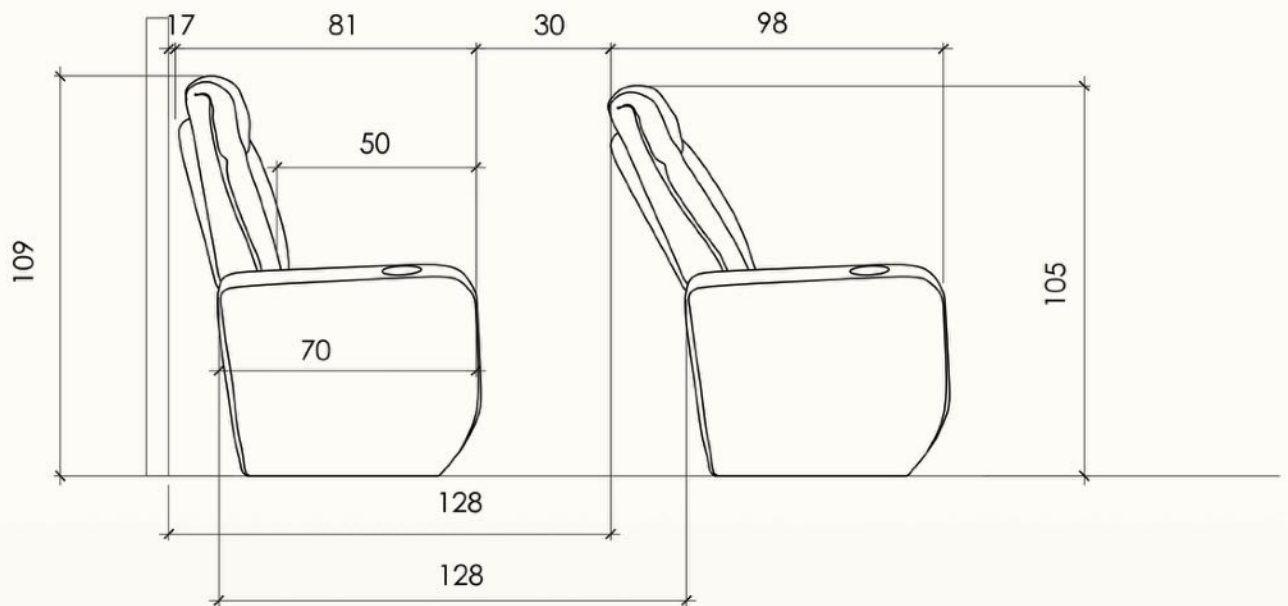
SINGLE ARM



DOUBLE ARM



LOVE SEAT





A-TOM<sup>®</sup>  
SEATING

SPACES<sup>®</sup>  
AND  
BETWEEN

TITANIUM


GLIDE INTO COMFORT

## FEATURES

- 3 pillow back design
- Seamless slide into recline operation
- Obstruction free under structure makes cleaning a breeze
- Offered as single, continuous or love seats (with an articulating centre arm)
- Constructible with ADA ends
- Optional swivel tables
- A variety of upholstery and colors



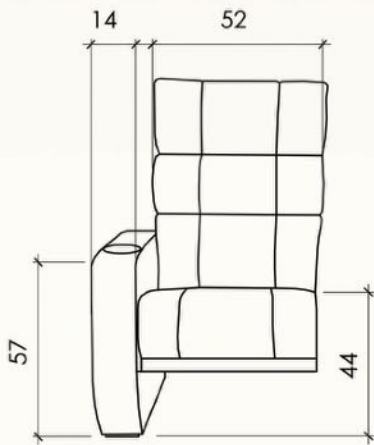
 [www.spacesandbetween.com](http://www.spacesandbetween.com)

 [sales@spacesandbetween.com](mailto:sales@spacesandbetween.com)

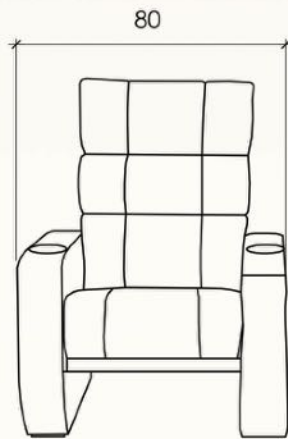
 +1 (888) 500-2349

Certified — BS5852, CA117,

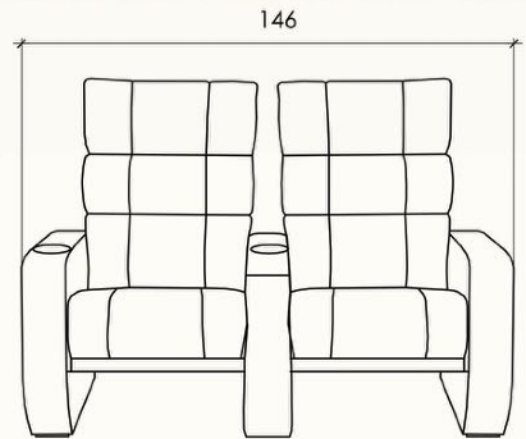
# TITANIUM GLIDER (cm)



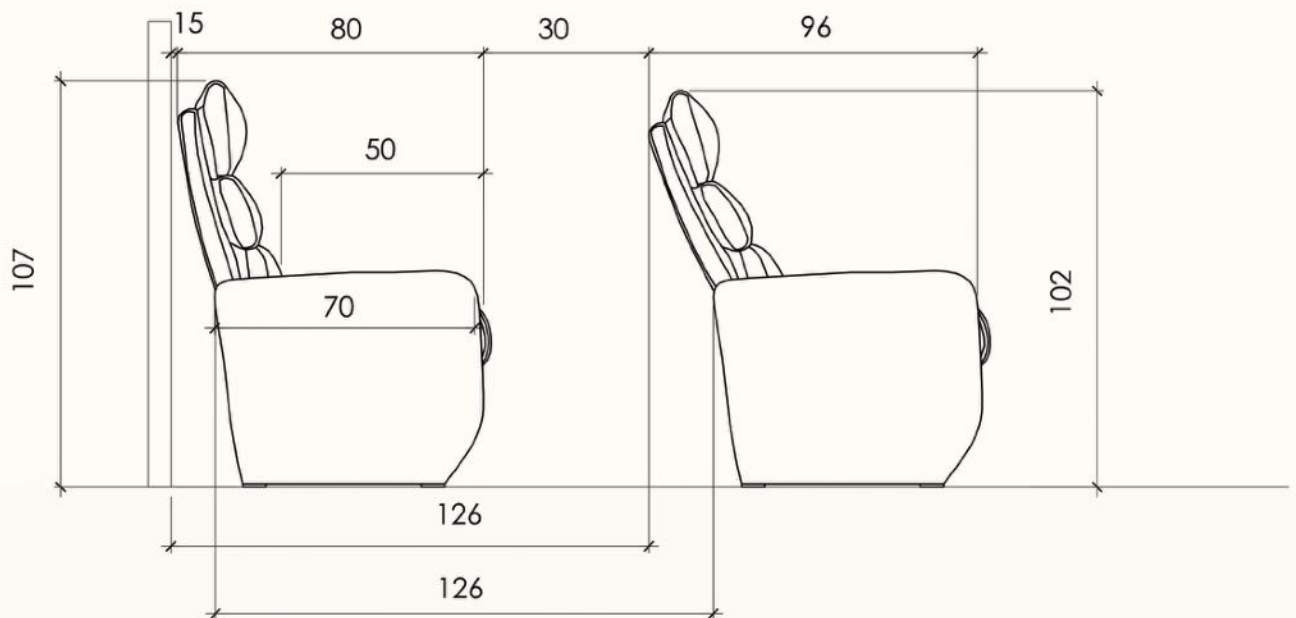
SINGLE ARM



DOUBLE ARM



LOVE SEAT



**A-TOM**<sup>®</sup>  
SEATING

**SPACES**<sup>®</sup>  
AND  
**BETWEEN**


**TUNGSTEN**


GLIDE 'N' RECLINE

## FEATURES

- Most economical seat with almost the feeling of a recliner
- Footrest in a glider
- Option of reclining backrest
- Offered as single, continuous or love seats (with an articulating centre arm)
- Constructible with ADA arms
- Sturdy metal construction
- A variety of upholstery and colors



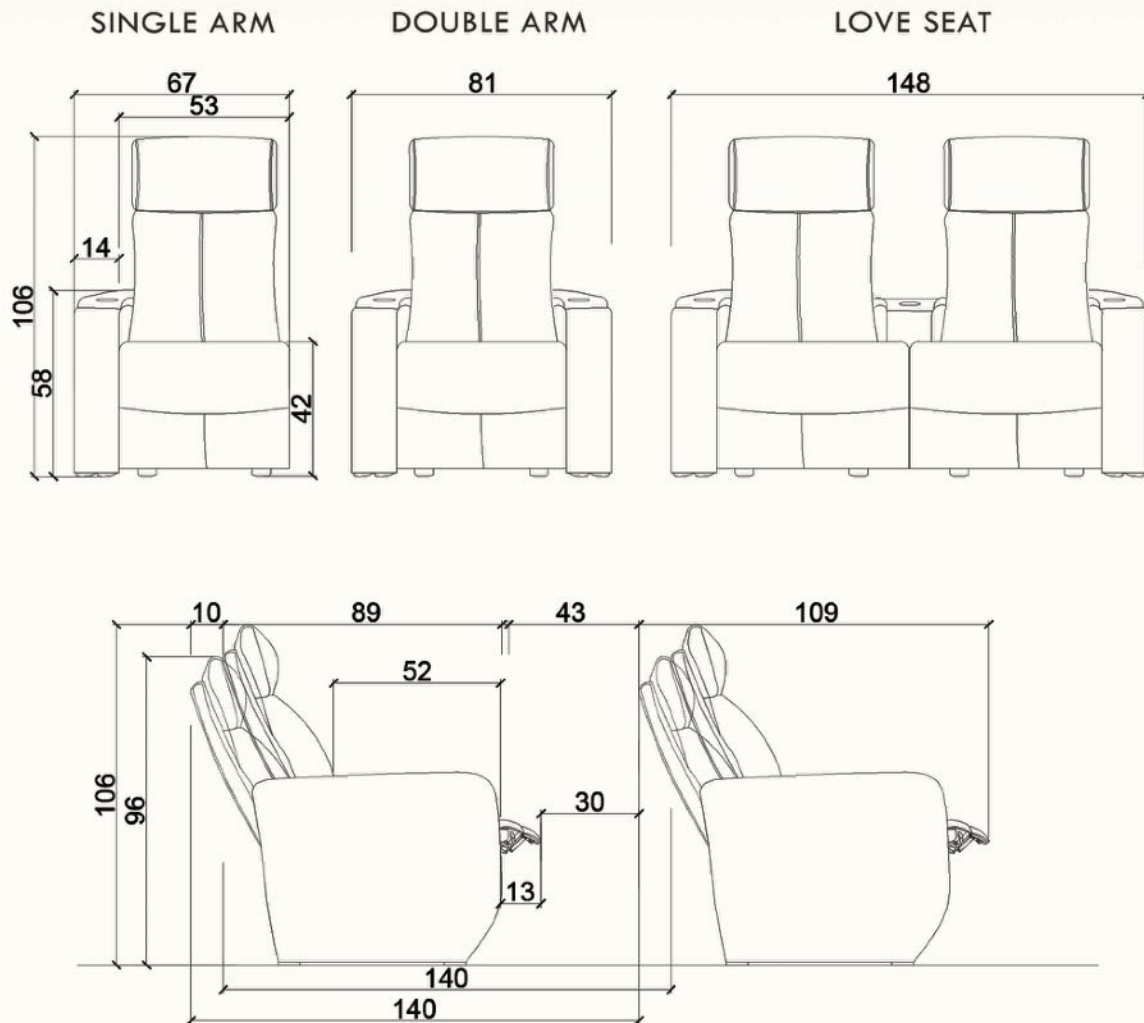
 [www.spacesandbetween.com](http://www.spacesandbetween.com)

 [sales@spacesandbetween.com](mailto:sales@spacesandbetween.com)

 +1 (888) 500-2349

Certified — BS5852, CA117,

# TUNGSTEN GLIDER (cm)





# ROCKERS



[www.spacesandbetween.com](http://www.spacesandbetween.com)



**A-TOM**<sup>®</sup>  
S E A T I N G

**SPACES**<sup>®</sup>  
AND  
**BETWEEN**


## FEATURES


- Fixed or Rocking backrest
- Optional Tip-Up seat
- Optional articulating armrest
- Polyurethane soaked sponge for enhanced elasticity
- PP injection moulded armrests
- Commercial steel moulded framework
- Upholstered side panels
- Fire retardant foam & fabric
- 8 years quality warranty


# HYDRO

THE OPPOSITE OF USUAL



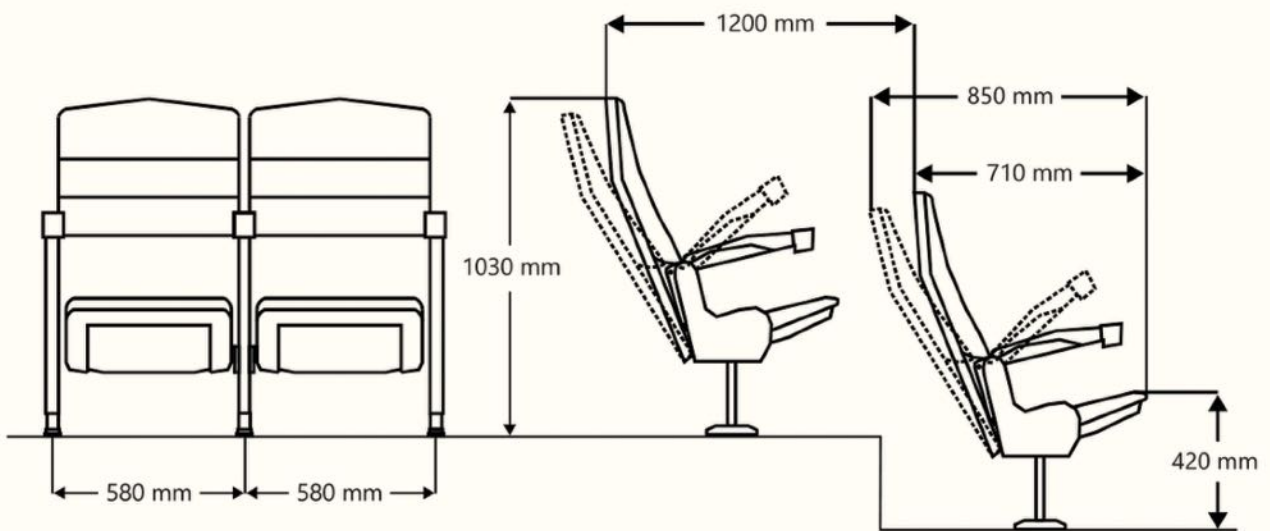
 [www.spacesandbetween.com](http://www.spacesandbetween.com)

 [sales@spacesandbetween.com](mailto:sales@spacesandbetween.com)

 +1 (888) 500-2349

Certified – BS5852, CA117,

# HYDRO ROCKER (mm)



**A-TOM**<sup>®</sup>  
SEATING

**SPACES**<sup>®</sup>  
AND  
**BETWEEN**

## FEATURES


- Fixed or Rocking backrest
- Optional Tip-Up seat
- Optional articulating armrest
- Polyurethane soaked sponge for enhanced elasticity
- PP injection moulded armrests
- Commercial steel moulded framework
- Upholstered side panels
- Fire retardant foam & fabric
- 8 years quality warranty

# CARBON

COMFORTING YOU ALWAYS



 [www.spacesandbetween.com](http://www.spacesandbetween.com)

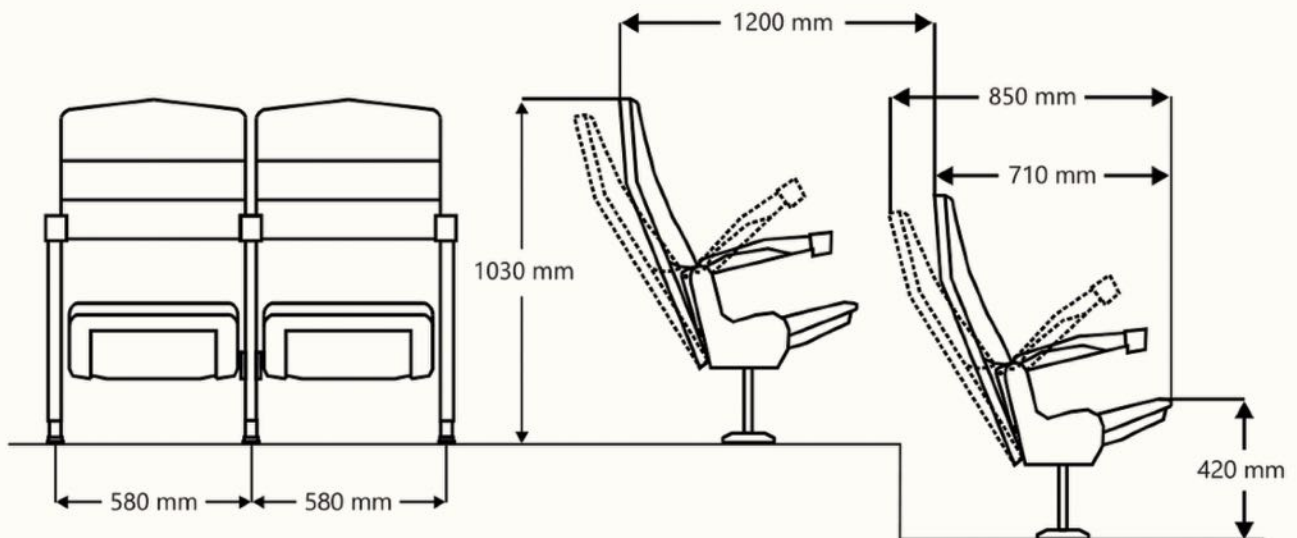
 [sales@spacesandbetween.com](mailto:sales@spacesandbetween.com)

 +1 (888) 500-2349

Certified – BS5852, CA117,



# CARBON ROCKER (mm)



**A-TOM<sup>®</sup>**  
SEATING

**SPACES<sup>®</sup>**  
AND  
**BETWEEN**

**OXY**


UPGRADE TO ETERNITY

## FEATURES

- Fixed or Rocking backrest
- Optional Tip-Up seat
- Optional articulating armrest
- Polyurethane soaked sponge for enhanced elasticity
- PP injection moulded armrests
- Commercial steel moulded framework
- Upholstered side panels
- Fire retardant foam & fabric
- 8 years quality warranty



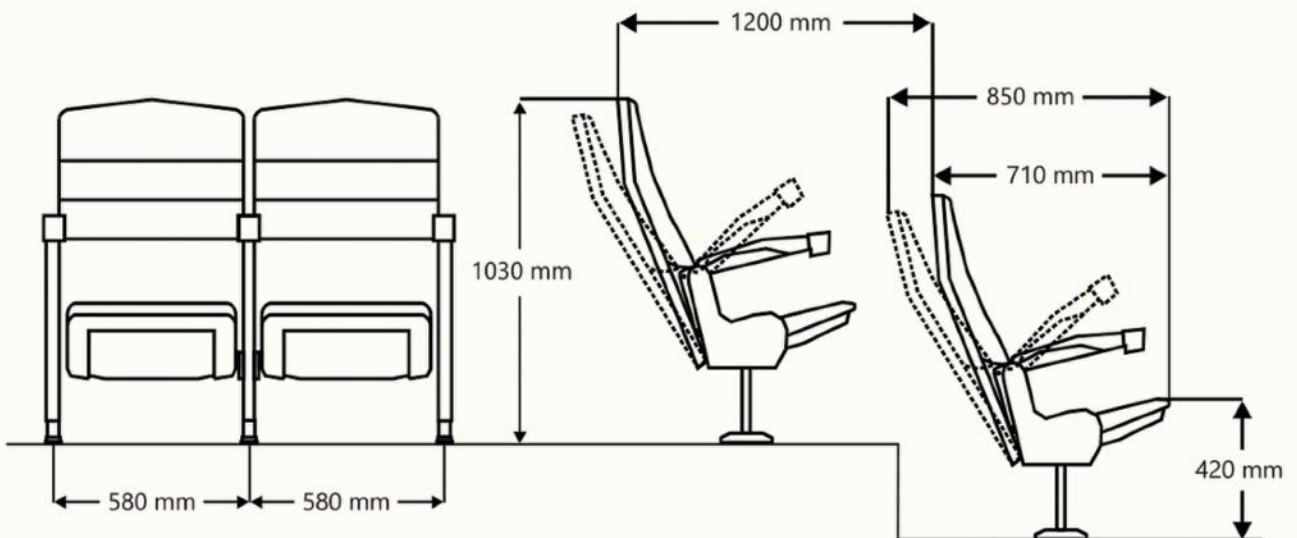
 [www.spacesandbetween.com](http://www.spacesandbetween.com)

 [sales@spacesandbetween.com](mailto:sales@spacesandbetween.com)

 +1 (888) 500-2349

Certified — BS5852, CA117,

# OXY ROCKER (mm)





**A-TOM**<sup>®</sup>  
SEATING

**SPACES**<sup>®</sup>  
AND  
**BETWEEN**


**NITRO**


COMMON YET CLASSY

## FEATURES

- Fixed - seat back and seat cushion
- Optional Tip-Up seat
- Optional articulating armrest
- Polyurethane soaked sponge for enhanced elasticity
- Framework is in multi-storeyed wood board
- PP injection moulded armrests
- Seat feet is in high quality steel tubes
- Fire retardant foam & fabric
- 5 years quality warranty
- Available in two sizes (54 cm and 58 cm)
- Available in low back height for better sight lines in restricted layouts



 [www.spacesandbetween.com](http://www.spacesandbetween.com)

 [sales@spacesandbetween.com](mailto:sales@spacesandbetween.com)

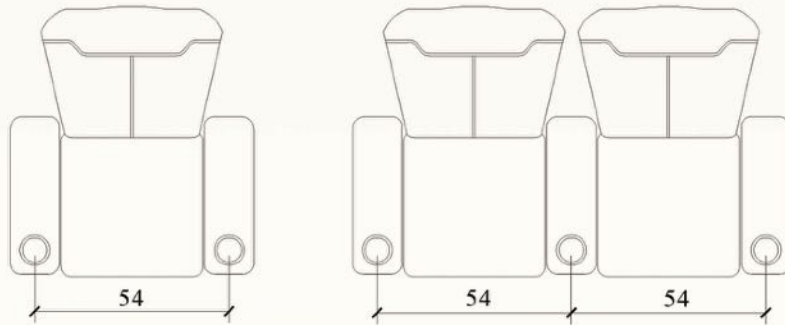
 +1 (888) 500-2349

Certified — BS5852, CA117,

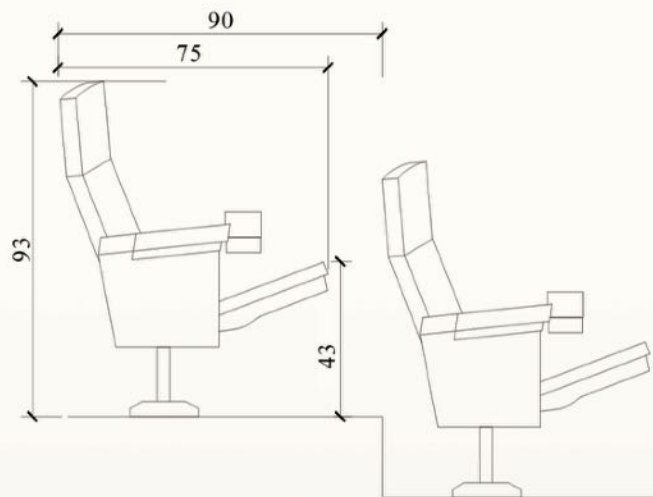
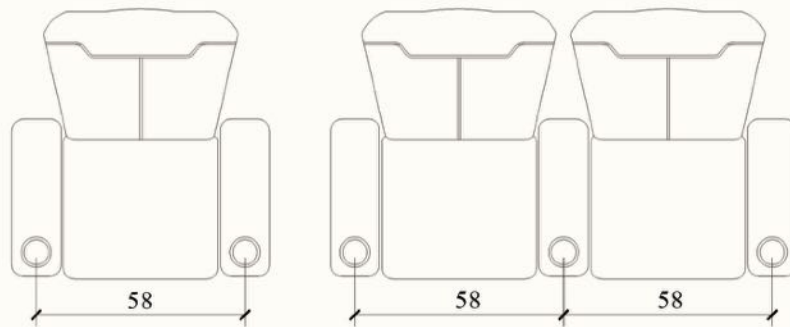


# NITRO ROCKER (cm)

## NARROW



## STANDARD

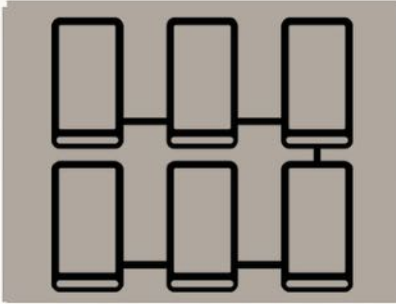


# ACCESSORIES

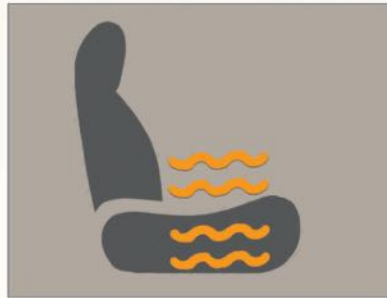


[www.spacesandbetween.com](http://www.spacesandbetween.com)





DAISY CHAIN POWER OPTION



HEAT PAD



MASSAGER



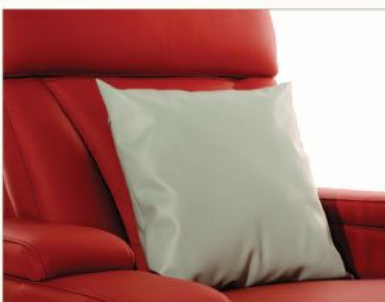
UNDER LIGHT - WARM WHITE



UNDER LIGHT - WHITE



WIRELESS CHARGER



PILLOWS



LIFTABLE ARM



ZERO WALL MECHANISM

# ACCESSORIES



CENTER TABLE



SWIVEL TABLE - BUTTERFLY



SWIVEL TABLE - BEAN



SWIVEL TABLE - CLASSIC



SWIVEL TABLE - NEO



SILVER CUPHOLDER



NORMAL CUPHOLDER



# ACCESSORIES



EMBROIDERED LOGO



DIAMOND STITCHING  
ON BODY



DIAMOND STITCHING  
ON ARMREST



STITCH PIPING



DUAL TONE UPHOLSTERY



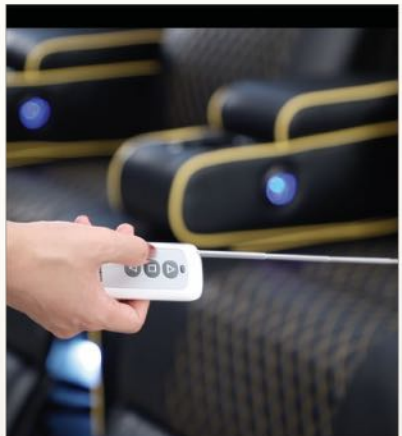
MOTORIZED HEADREST



ROLL-UP LEGREST



CUSTOMIZABLE  
LEG REST PROTECTION



OPEN CLOSE EASY CLEANING  
OPTION FOR ALL RECLINERS

# ACCESSORIES



STAINLESS STEEL  
SEAT NUMBER



STAINLESS STEEL TABLETOP  
SEAT NUMBER



EMBROIDERED  
SEAT NUMBERS



STANDARD SEAT NUMBER



LED PROGRAMMABLE  
SEAT NUMBER



ALUMINIUM ROW INDICATOR  
WITH DOWN LIGHT



BLUE LIT BUTTON W\_USB



BLUE LIT MOTION  
CONTROL BUTTON



WEIGHT SENSOR

# ACCESSORIES



REMOVABLE BACKREST CUSHION



REMOVABLE BUTT REST CUSHION



DETACHABLE BUTT REST



DETACHABLE HEADREST COVER  
(SYNTHETIC LEATHER)



DETACHABLE HEADREST COVER  
(FABRIC)



SHOW WOOD



SEAT FLAPS

# PROJECTS



[www.spacesandbetween.com](http://www.spacesandbetween.com)





# PROJECTS



**THE MALL, KINO ARENA, SOFIA  
(BULGARIA)**



**8 MILLER THEATRE, MISSOURI  
(BLUE SPRINGS)**



# PROJECTS



**APPLE CINEMAS, CONNECTICUT  
(SIMSBURY)**



**HOCKWOOD DIGITAL, UAE  
(DUBAI)**





# PROJECTS



**CINECO CINEMA, BAHRAIN**  
(OASIS MALL - JUFFAIR)



**CINECO CINEMA, BAHRAIN**  
(WADI AL SAIL - SEEF)



# PROJECTS



**ATLAS CINEMAS, OHIO**  
(DIAMOND CENTER 16)



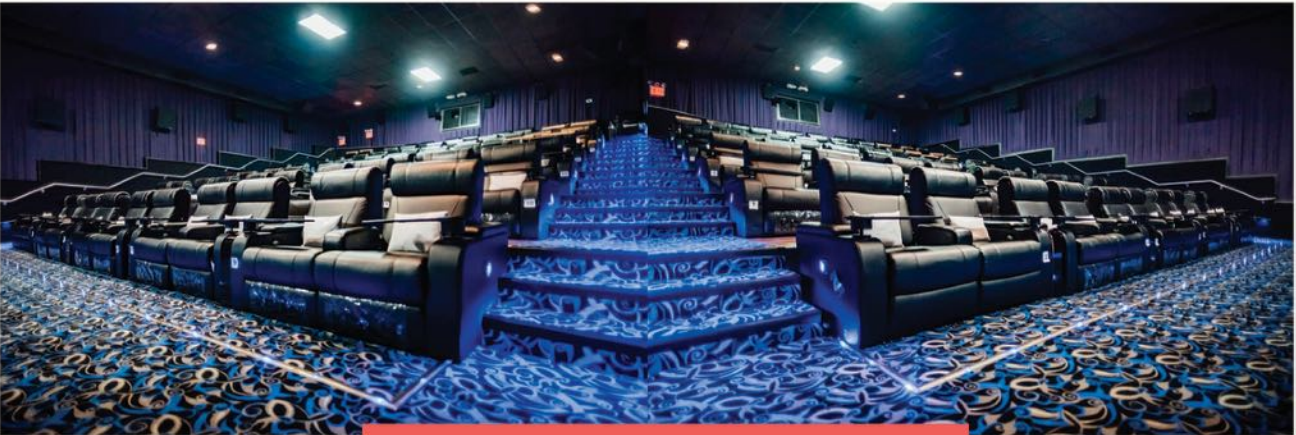
**AL NISR, DUBAI**



**CINEMA CAFE, VIRGINIA**  
(PEMBROKE MEADOWS)



**CHRISTIE DIGITAL, AUSTRALIA**



**TOUCHSTAR CINEMAS, FL**  
(SOUTHCHASE 7)





# PROJECTS



**CINESTAR, PAKISTAN  
(LAHORE)**



**HORIZON CINEMAS, MARYLAND  
(FALLSTON)**



# PROJECTS



IRAQI CINEMA, IRAQ  
(DREAM CITY MALL)





# PROJECTS



Du Light  
دولابيت



**IRAQI CINEMA, IRAQ**  
(BAGHDAD)



**TOUCHSTAR CINEMAS, FLORIDA**  
(SABAL PALMS LUXURY 6)



# PROJECTS



**CINE GRAND, CALIFORNIA  
(FREMONT)**



**CINE GRAND, BULGARIA  
(SSRM MALL)**



**RIALTO THEATRE, IOWA**



**ROYAL CINEMAS, GEORGIA**



**CINE GRAND, MINNESOTA  
(MANKATO)**



**HISTORIC STRAND, GEORGIA  
(JESUP)**





# PROJECTS



**LUXE REEL THEATRE, OREGON**  
(ONTARIO)



**ATLAS CINEMAS, OHIO**  
(EASTGATE 10)



# PROJECTS



**ROCHESTER THEATER, NEW YORK  
(AUBURN MOVIEPLEX)**



**ROCHESTER THEATER, NEW YORK  
(STRAND THEATER, BROCKPORT)**



**ROCHESTER THEATER, NEW YORK  
(GENESEO THEATERS)**



**ROCHESTER THEATER, NEW YORK  
(CANANDAIGUA THEATERS)**



**CHRISTIE DIGITAL, INDIA  
(BANGALORE)**





# PROJECTS



**MIDTOWN GALLERIA, NEPAL**  
(POKHARA)



**TOUCHSTAR CINEMAS, ALABAMA**  
(MADISON SQUARE 12)



**PARK PLAZA, SOUTH CAROLINA**  
(HILTON HEAD)



**CINE GRAND, NEW JERSEY**  
(MIDDLEBROOK 10)



**HORIZON CINEMAS, MARYLAND**  
(MARLEY STATION)



**TOUCHSTAR CINEMAS, FLORIDA**  
(SPRINGHILL)

