

A-TOM[®]
SEATING

SPACES[®]
AND
BETWEEN

NITRO

COMMON YET CLASSY

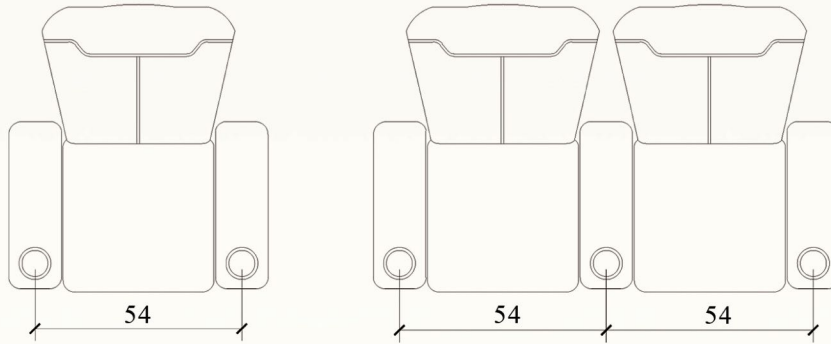
FEATURES

- Fixed - seat back and seat cushion
- Optional Tip-Up seat
- Optional articulating armrest
- Polyurethane soaked sponge for enhanced elasticity
- Framework is in multi-storeyed wood board
- PP injection moulded armrests
- Seat feet is in high quality steel tubes
- Fire retardant foam & fabric
- 5 years quality warranty
- Available in two sizes (54 cm and 58 cm)
- Available in low back height for better sight lines in restricted layouts



NITRO ROCKER (cm)

NARROW



STANDARD

